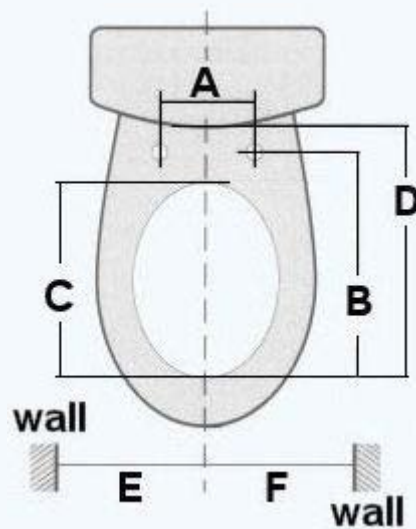


Measurements to verify



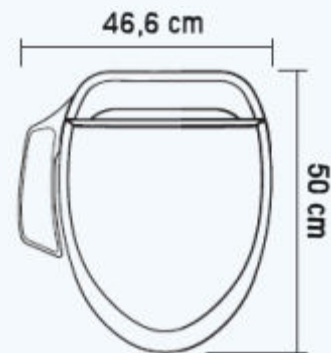
UB-6235 / UB-6210 / UB-7000 Elongated shape

A = 14 ~ 22 cm
 B = 37 ~ 43 cm
 C = min. 35 cm
 D = min. 46 cm
 E = min. 28 cm
 F = min. 21 cm



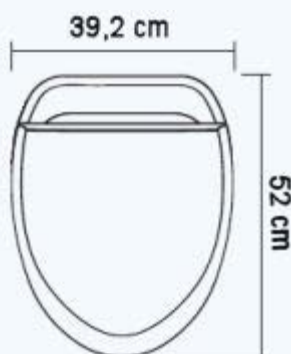
UB-6235 / UB-6210 / UB-7000 Round shape

A = 14 ~ 22 cm
 B = 34 ~ 40 cm
 C = min. 32 cm
 D = min. 43 cm
 E = min. 28 cm
 F = min. 21 cm



UB-6035R Elongated shape

A = 14 ~ 22 cm
 B = 37 ~ 43 cm
 C = min. 35 cm
 D = min. 46 cm
 E = min. 23 cm
 F = min. 21 cm



UB-6035R Round shape

A = 14 ~ 22 cm
 B = 34 ~ 40 cm
 C = min. 32 cm
 D = min. 43 cm
 E = min. 23 cm
 F = min. 21 cm

