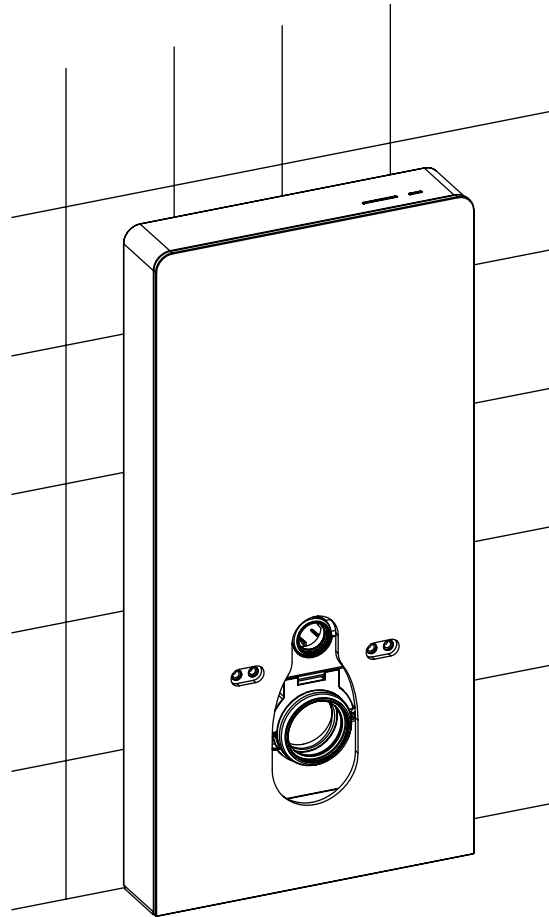


Aqua-Sigma

Touchless Wall Hung WC Cabinet

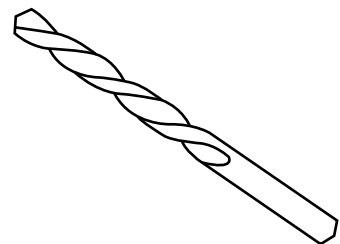
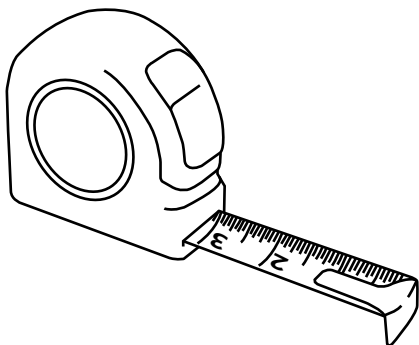
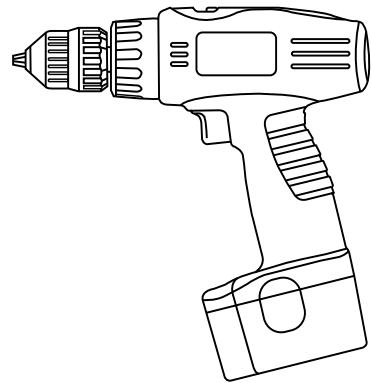
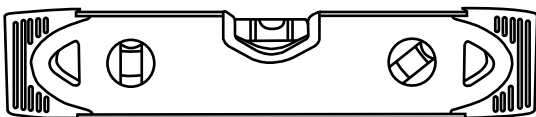
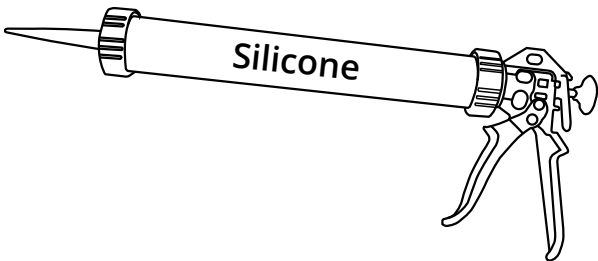
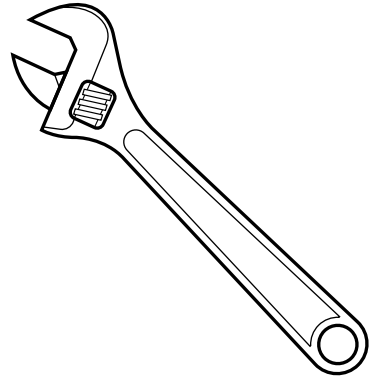
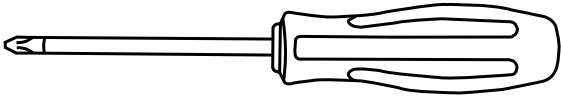


Installation Guide

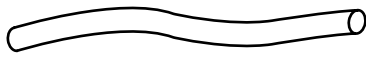
Models: TWH-8000-WHT & TWH-8000-BLK

Installation

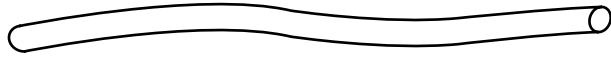
Tools required for installing:



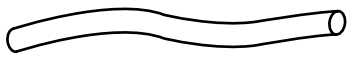
Parts Included:



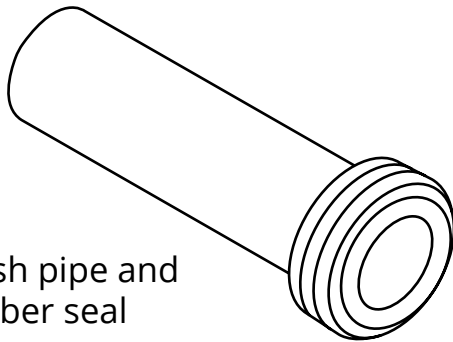
Transparent air hose 350mm



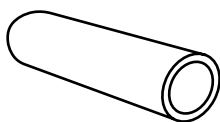
Transparent air hose 650mm



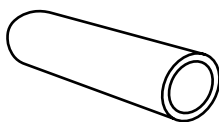
Blue air hose 300mm



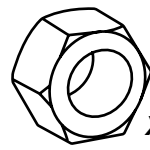
Flush pipe and rubber seal



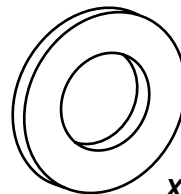
x2
Expansion nut
6-8mm



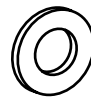
x2
Expansion nut
8*40



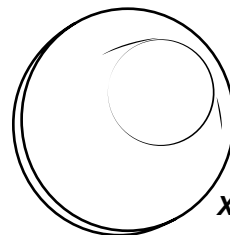
x2
M12 Nut



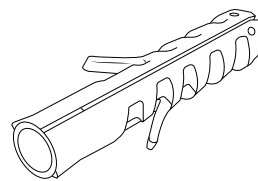
x2
Large washer



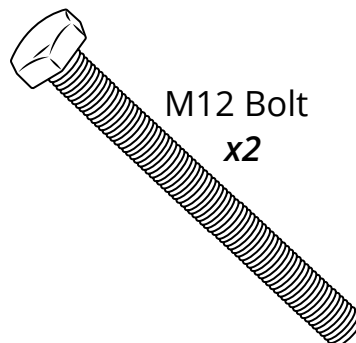
x2
Washer



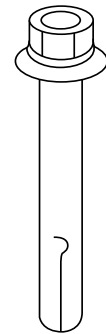
x2
Rubber sleeve



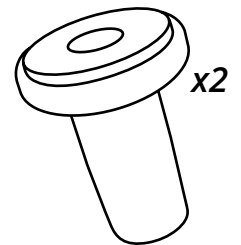
Rawl Plug



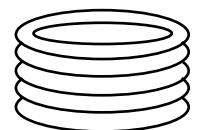
M12 Bolt
x2



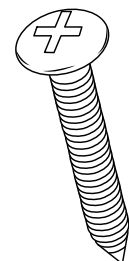
x2
Steel expansion bolts



x2
Decorative cap and sleeve

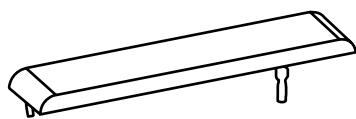


Rubber seal

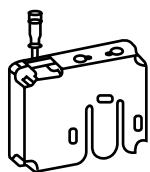


Screw

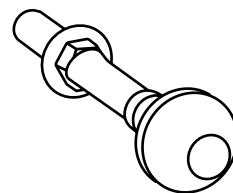
Parts Included:



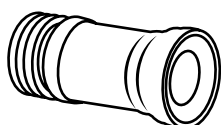
Plastic sensor cover



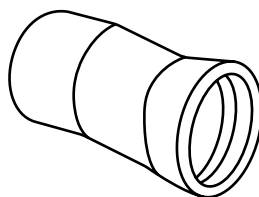
Plastic cover assembly



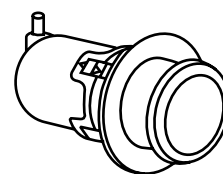
Screw set



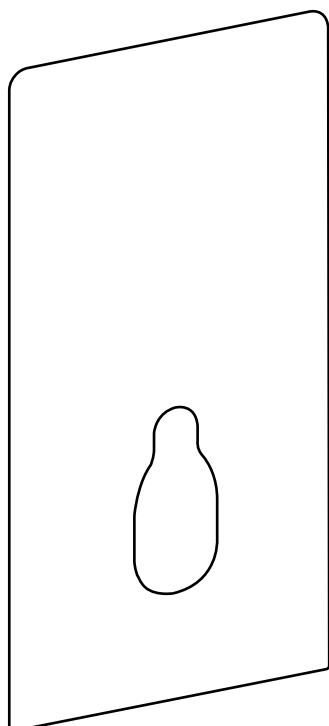
Drainage eccentric pipe



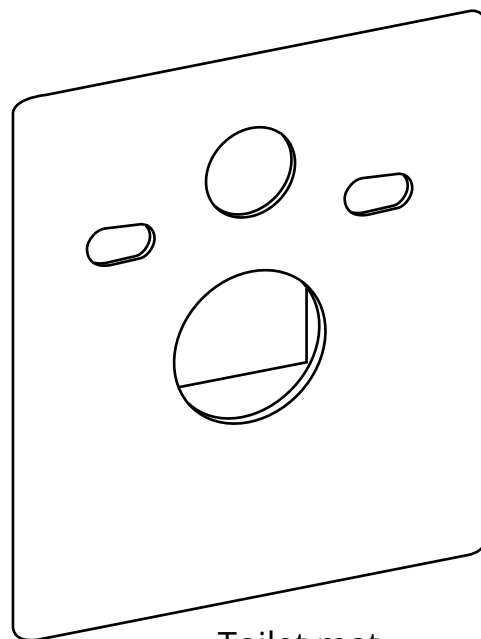
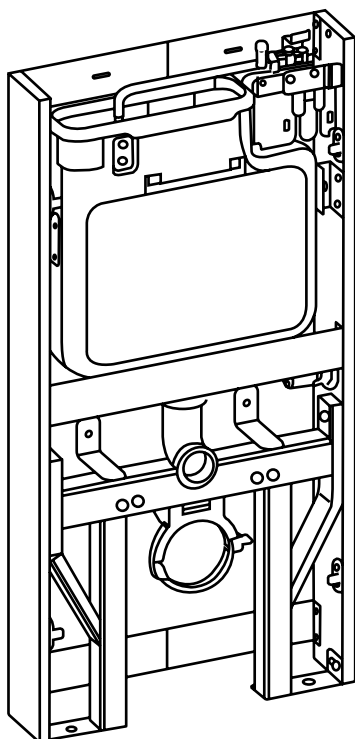
Eccentric pipe



Manual flush button



Panel

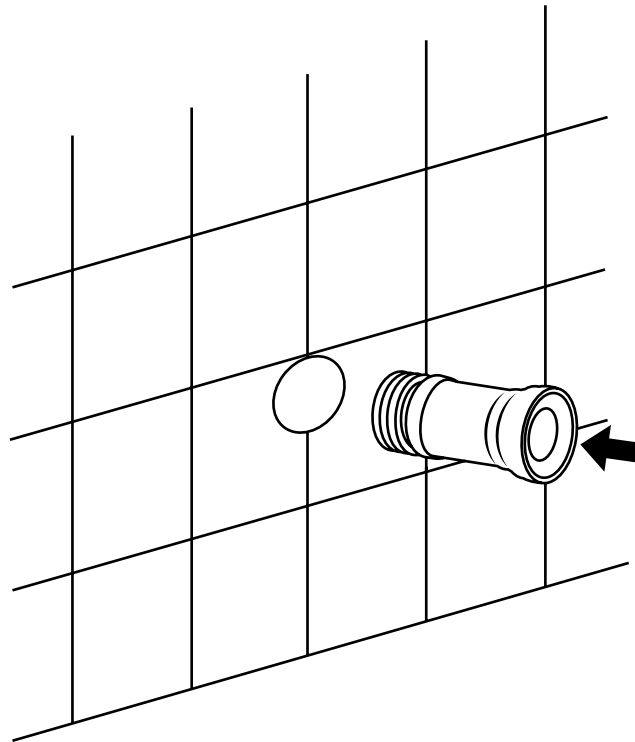


Toilet mat

Technical Specification:

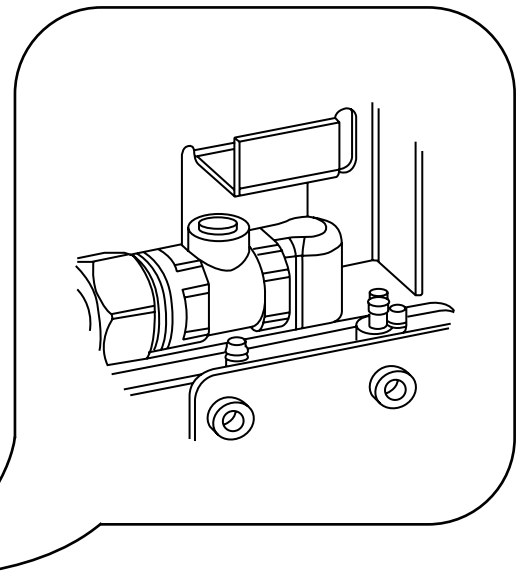
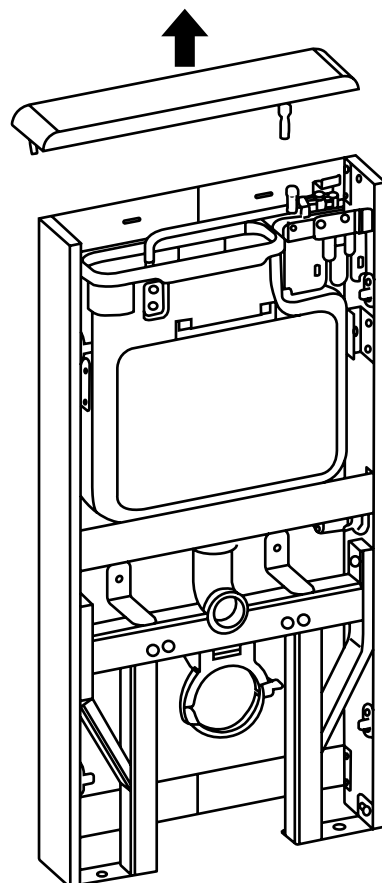
Name	Automatic Infrared cabinet cistern for wall-hung WC	
Model	TWH-8000-WHT TWH-8000-BLK	
Technical Specification	rated voltage	220V AC, 50HZ
	ambient temperature	3~40°C
	water supply pressure	0.07~0.75MPa
	water supply temperature	4~35°C
	waterproof rating	IPX4
	dimension	1003.5mm X 483mm X 108mm

1

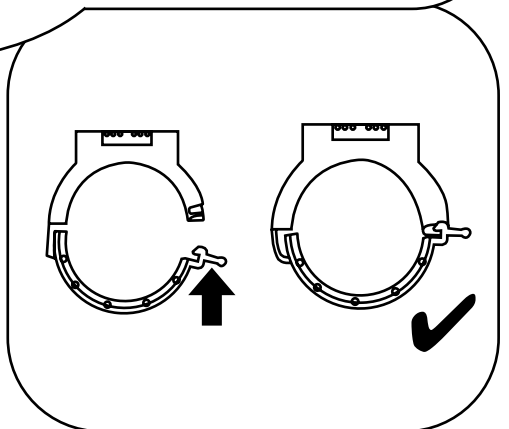
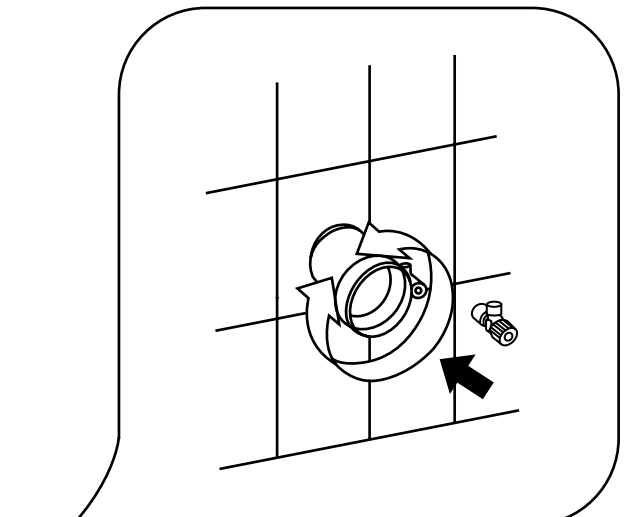
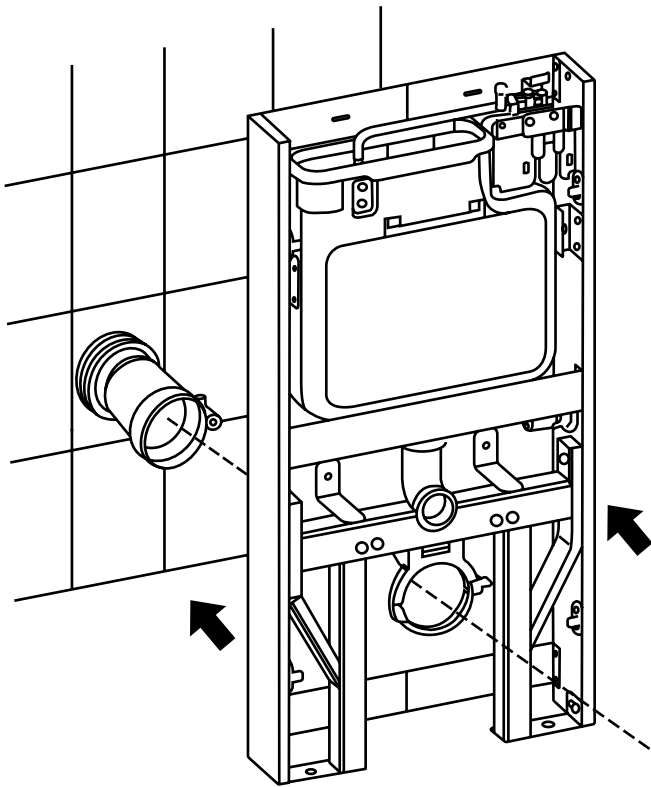


2

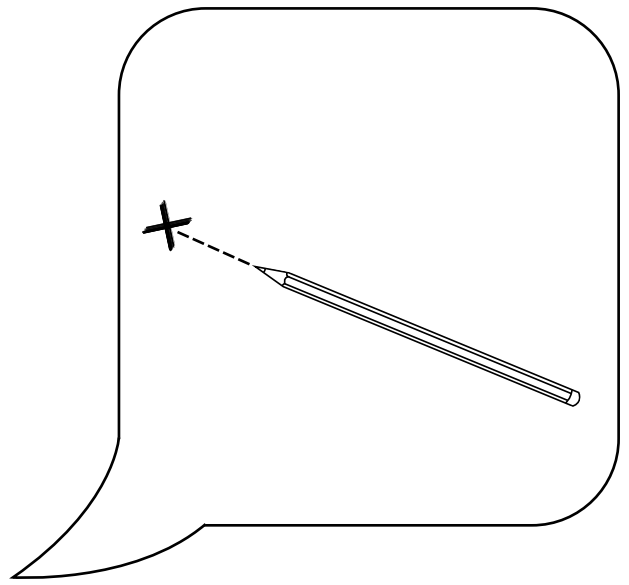
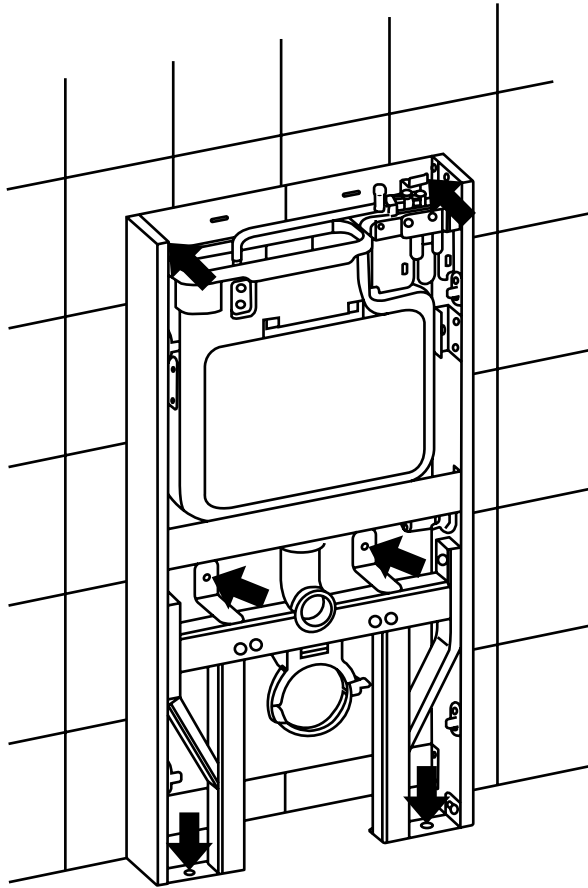
Remove the upper cover



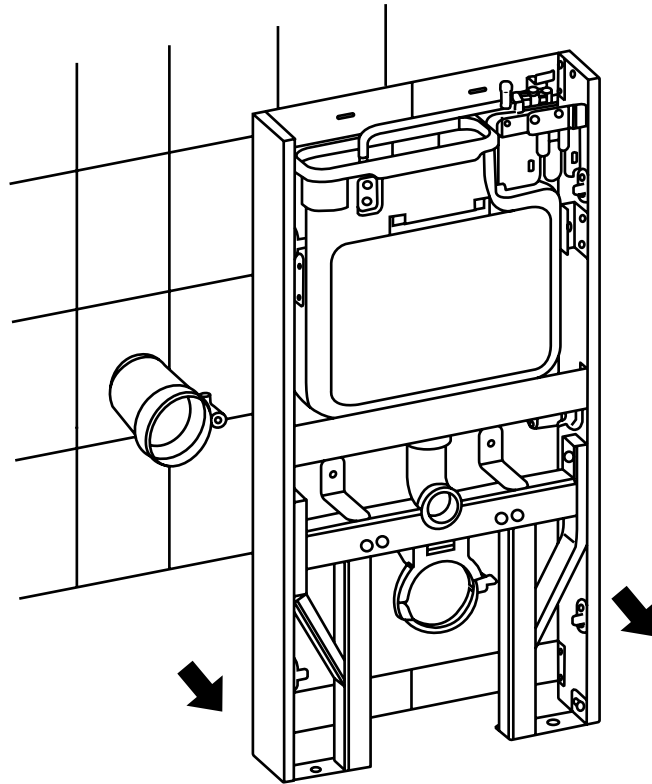
3



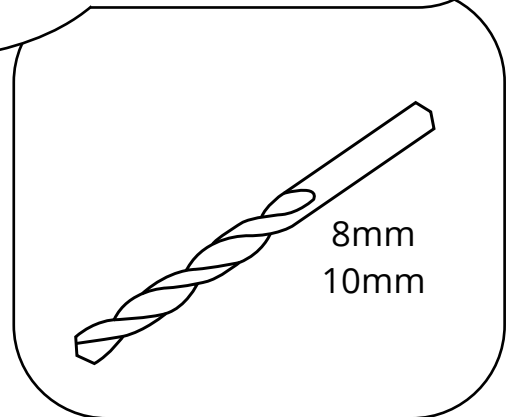
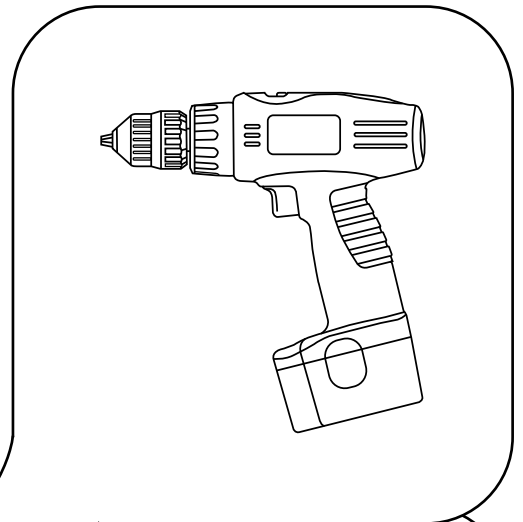
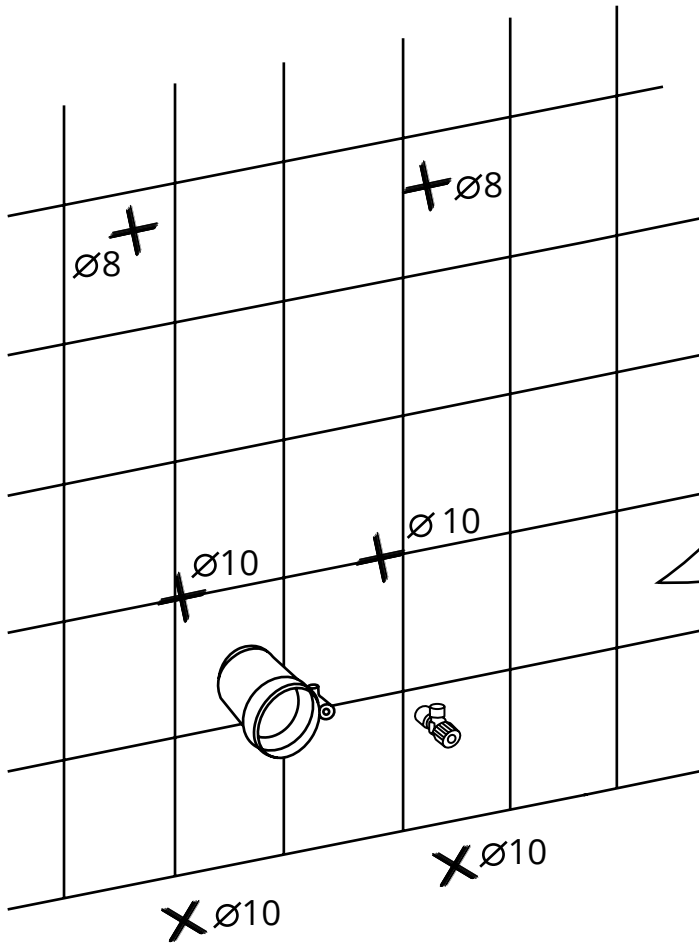
4



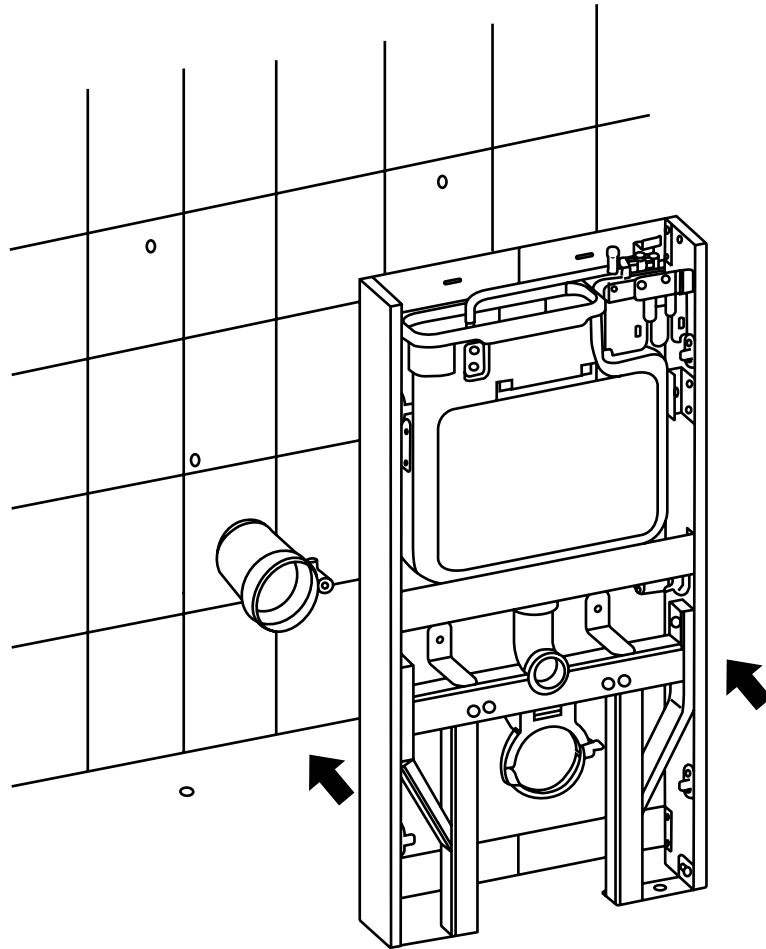
5



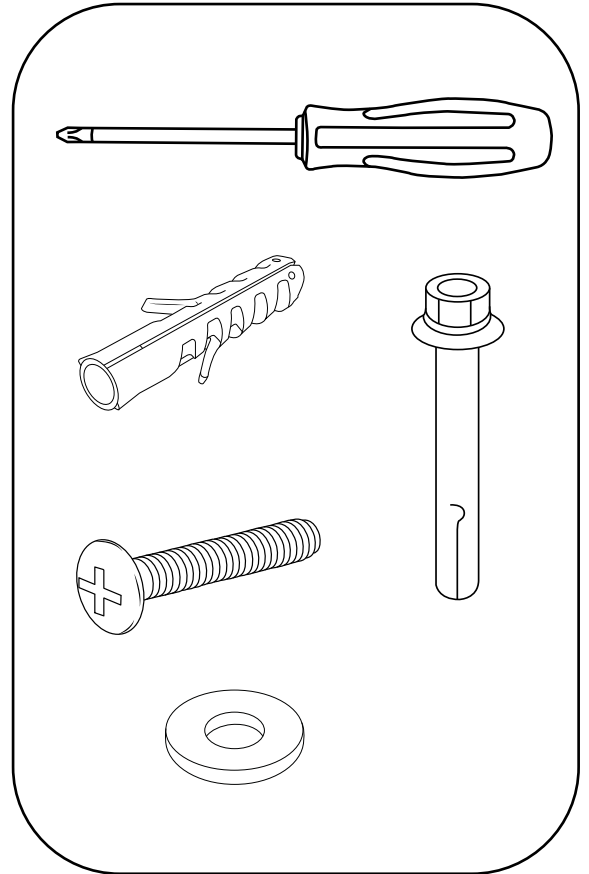
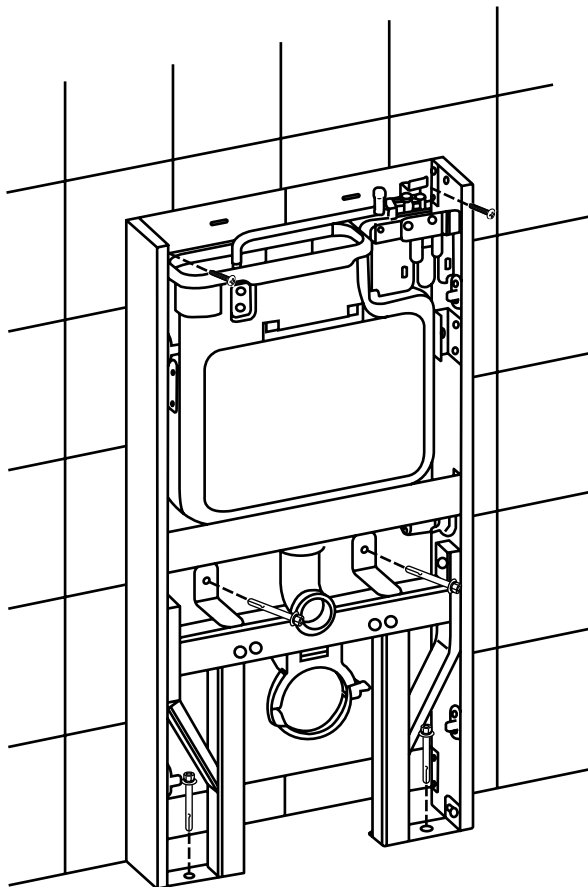
6



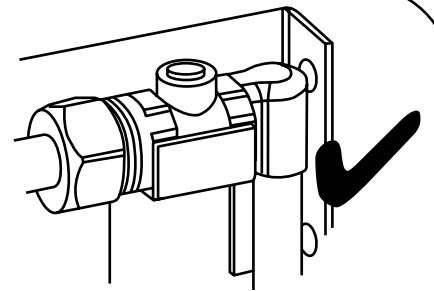
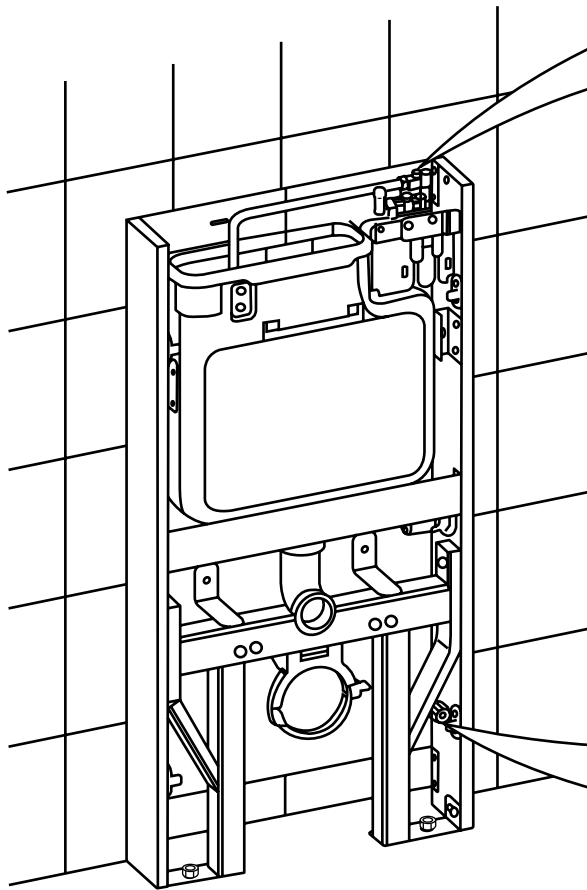
7



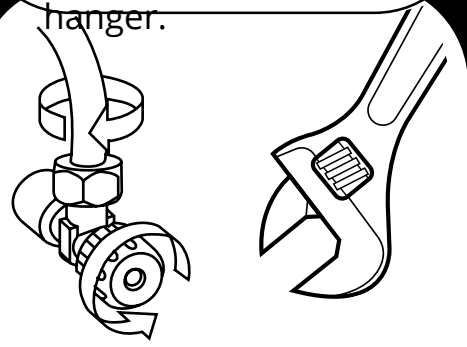
8



9

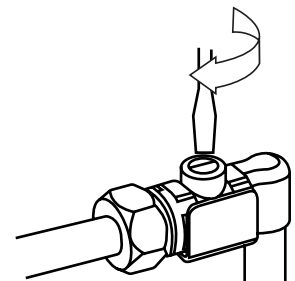
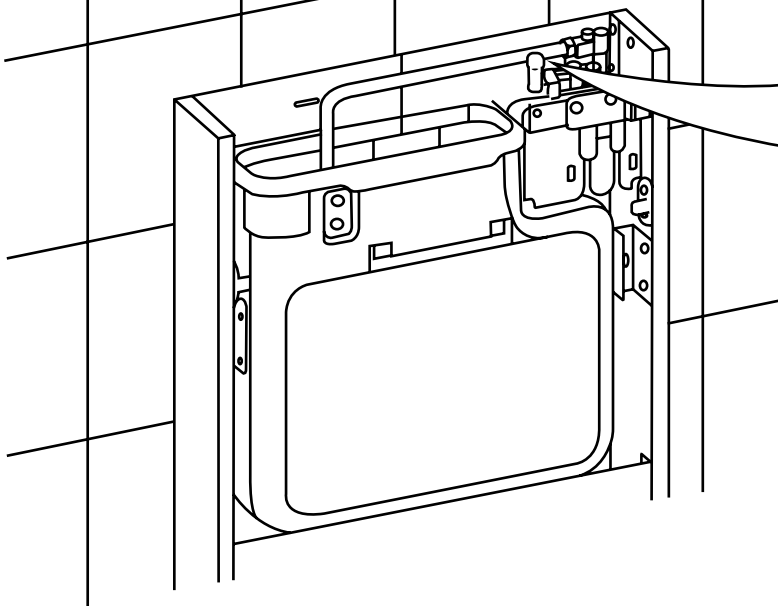
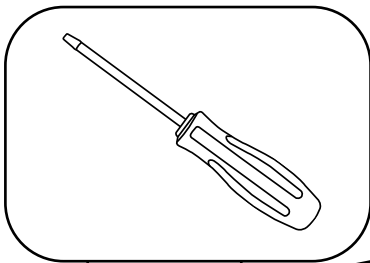


Reconnect the braided hose to the hanger.

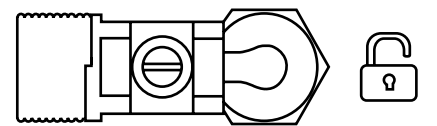
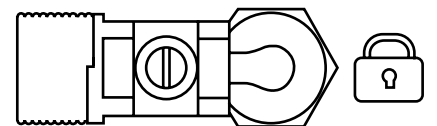


Connect the hose to the angle valve on the wall.

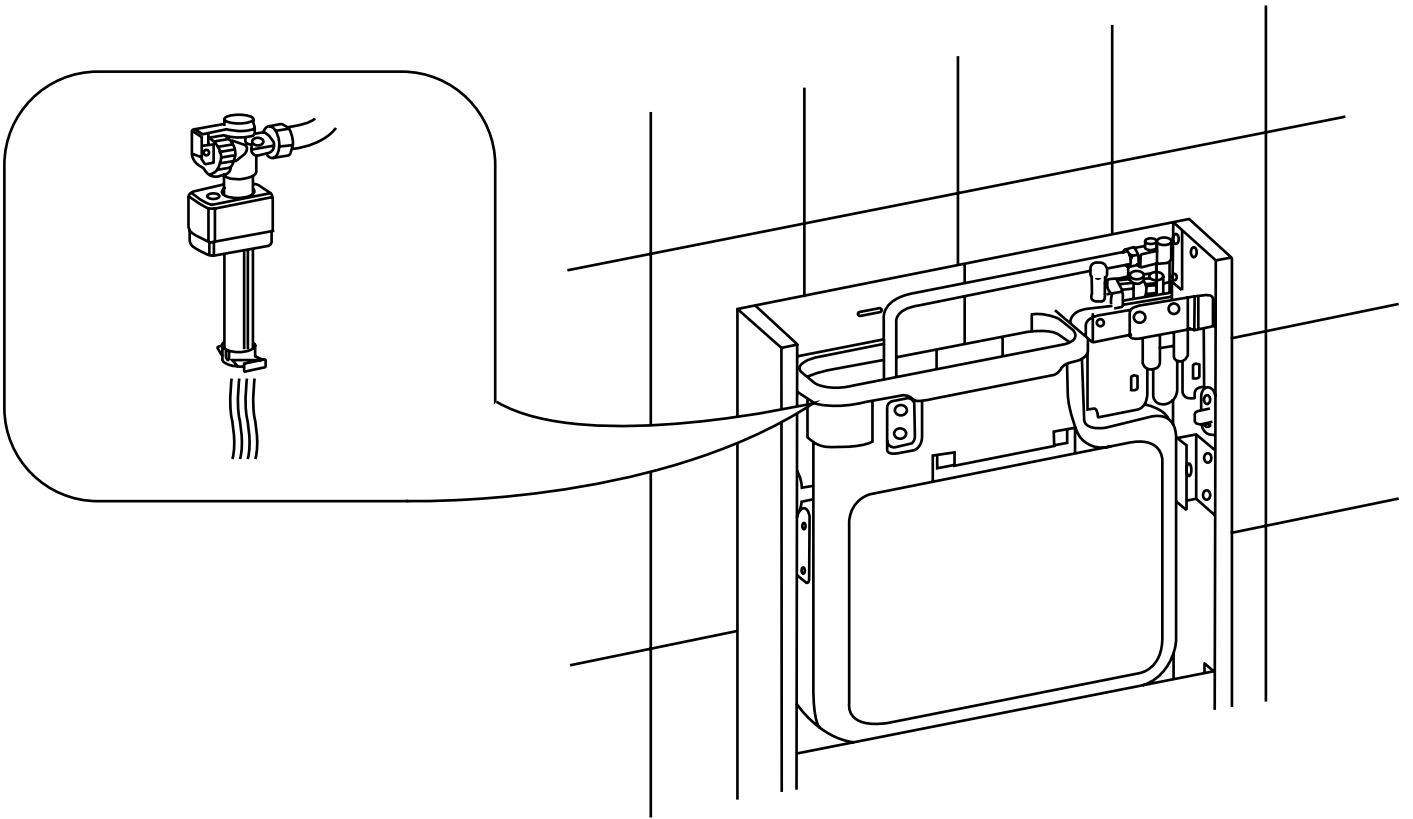
10



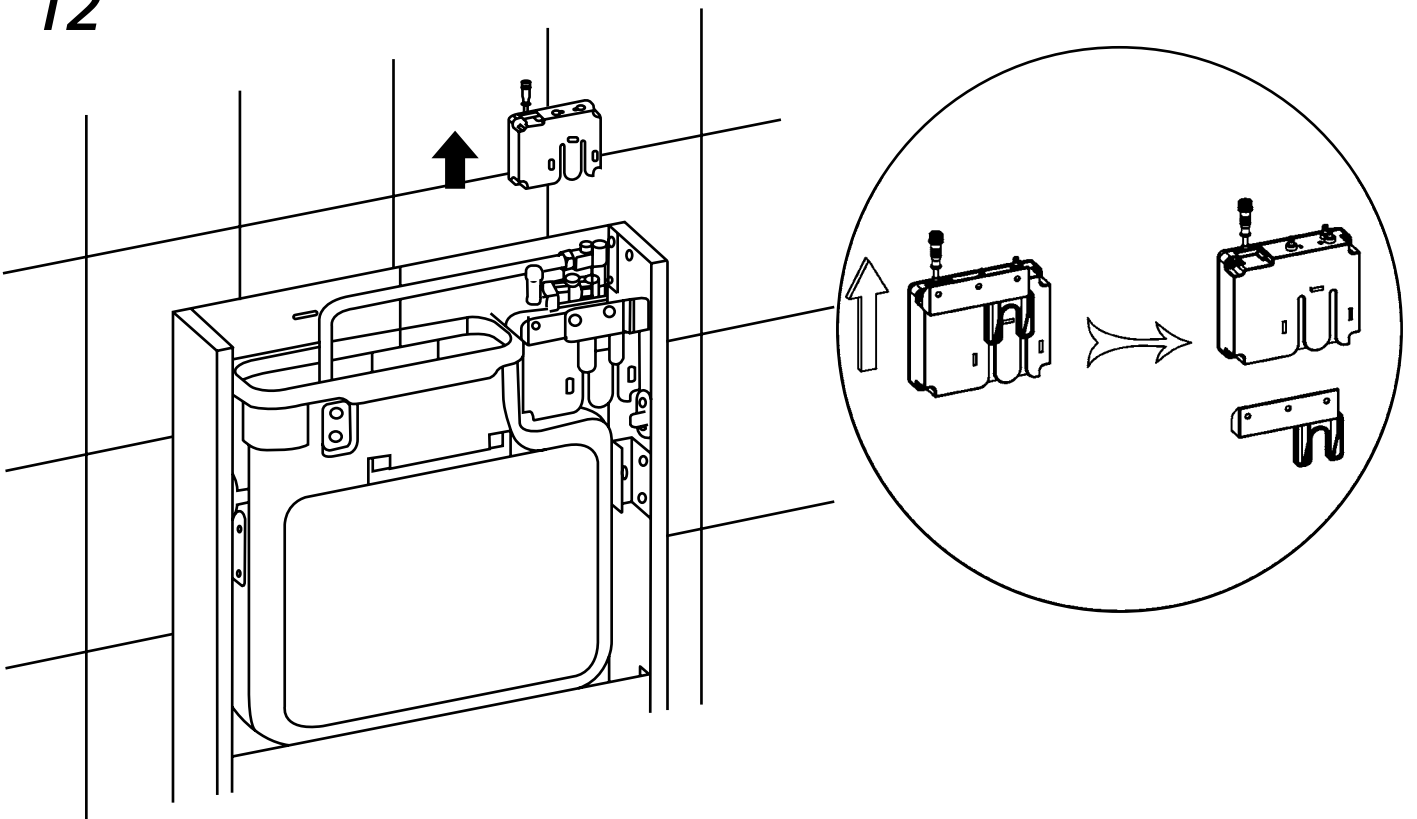
Check the stop valve.



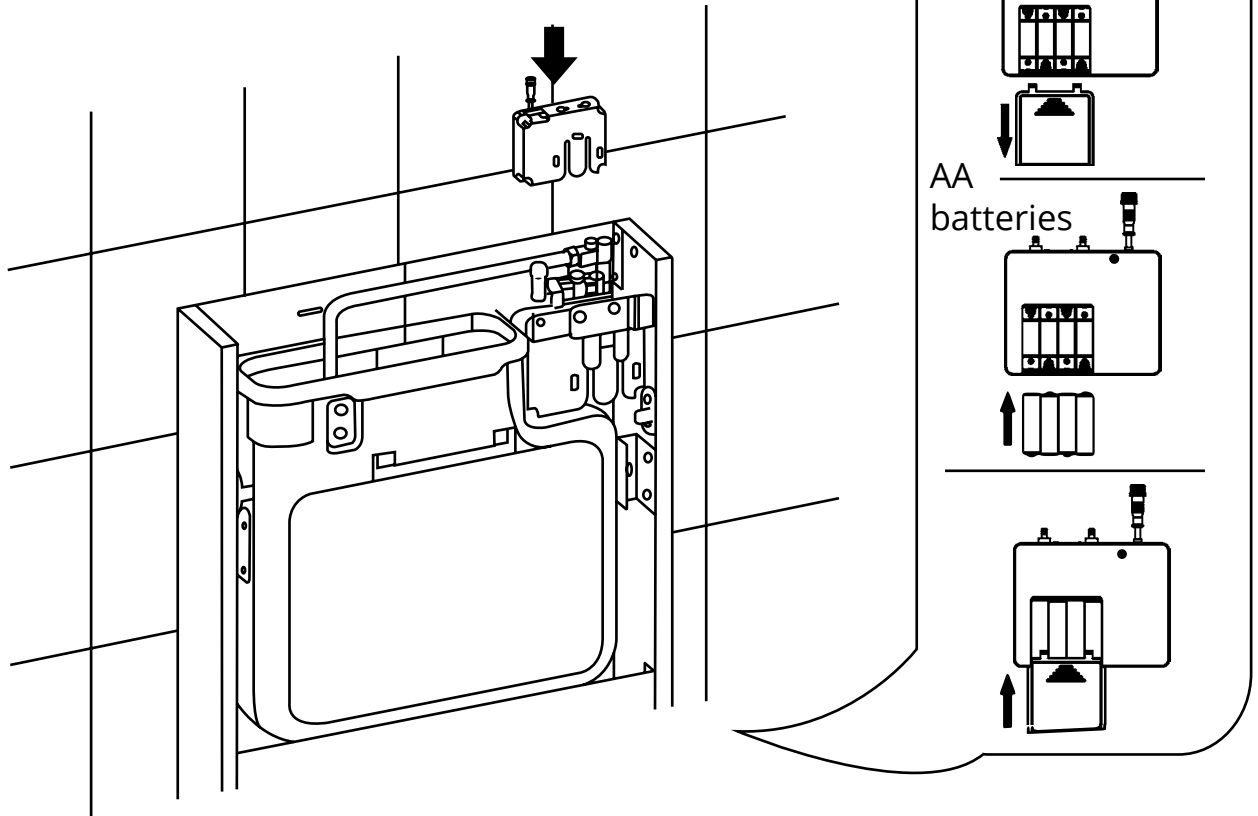
11



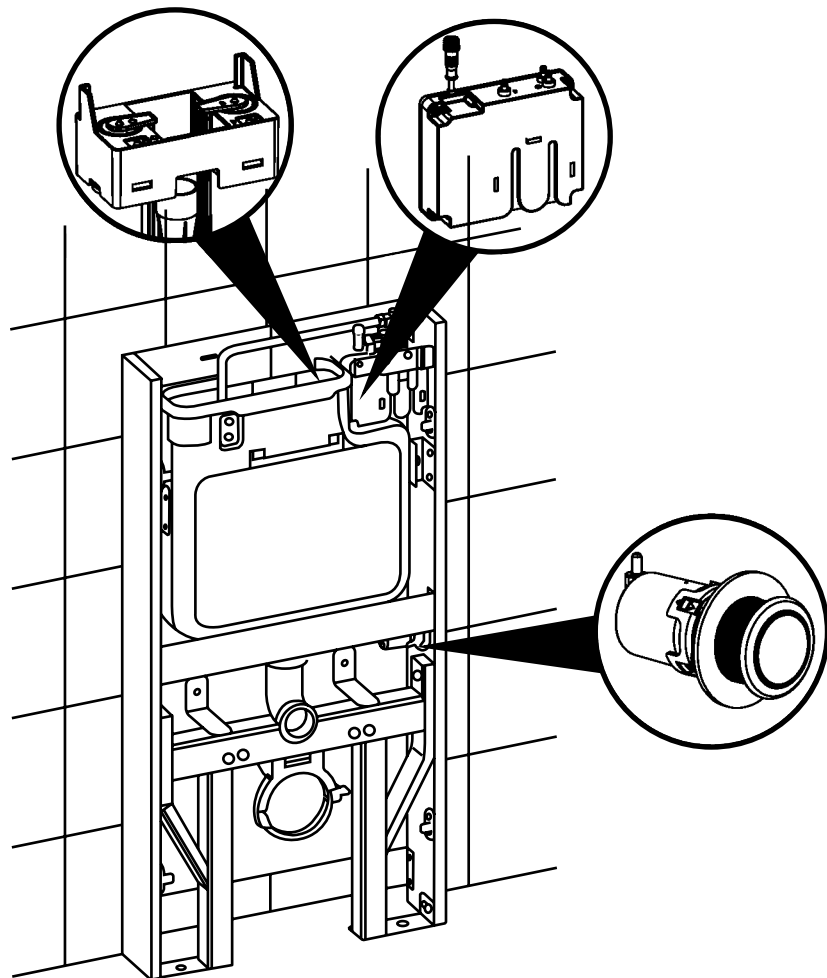
12



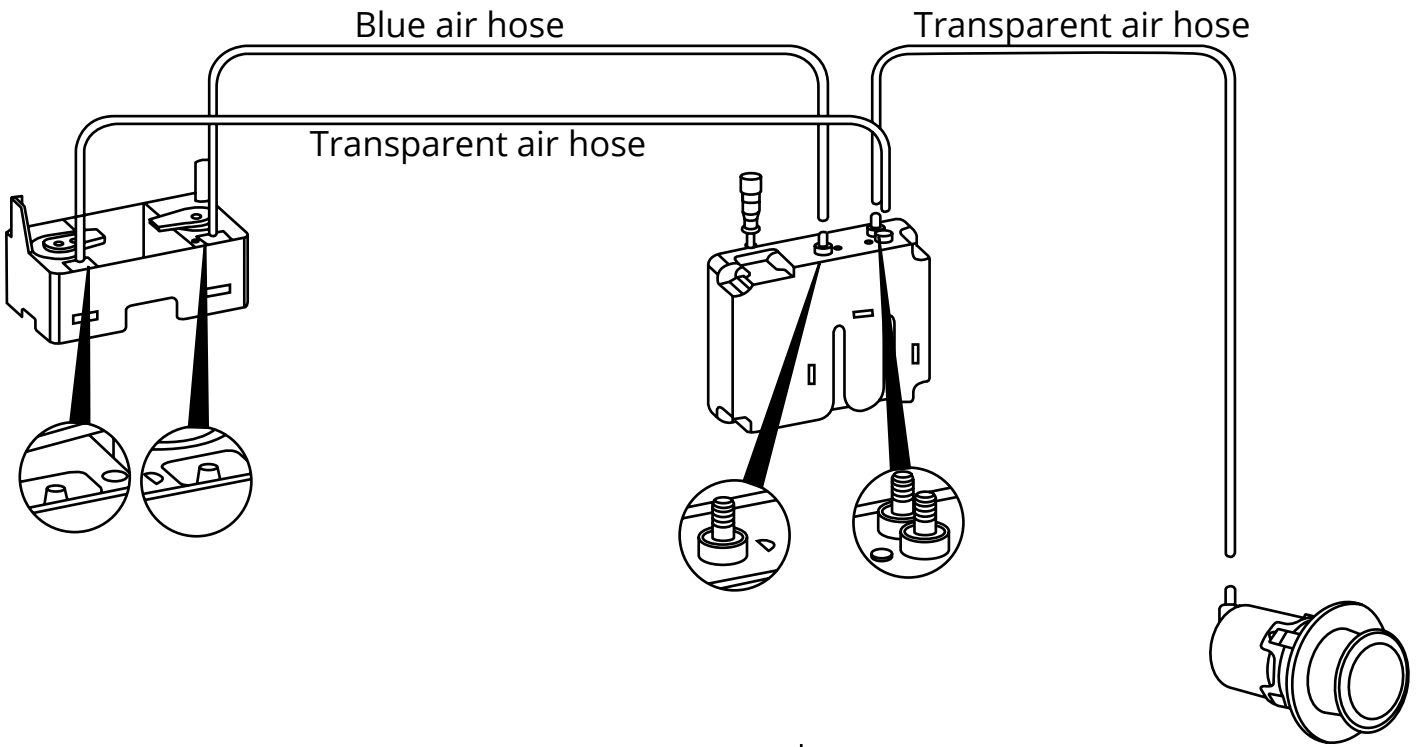
13



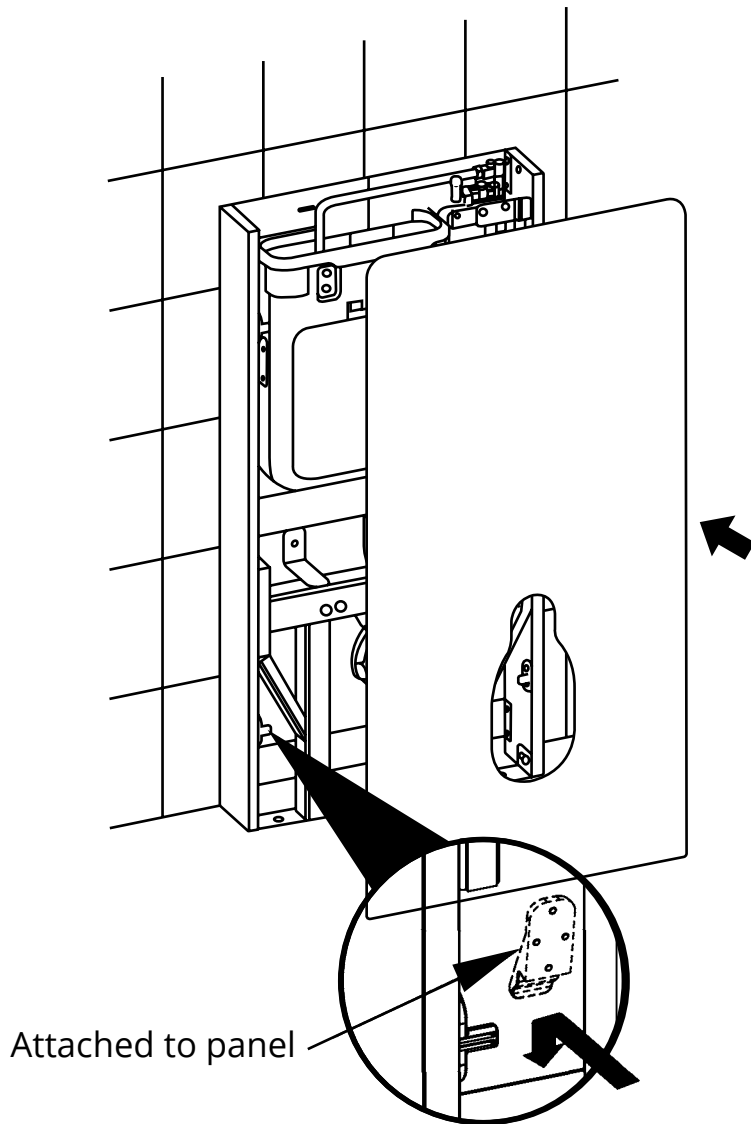
14



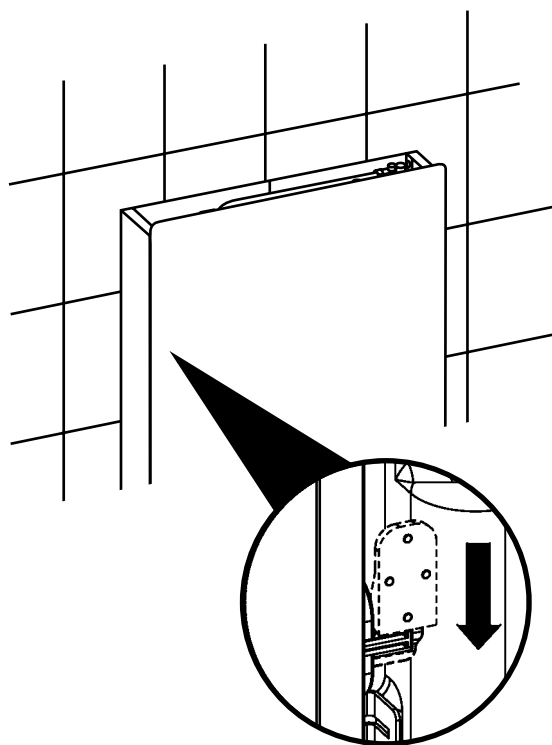
15



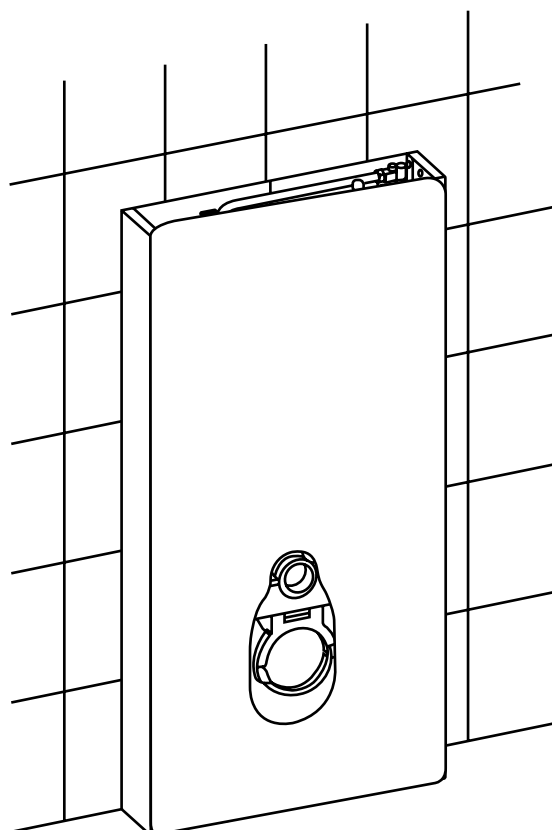
16



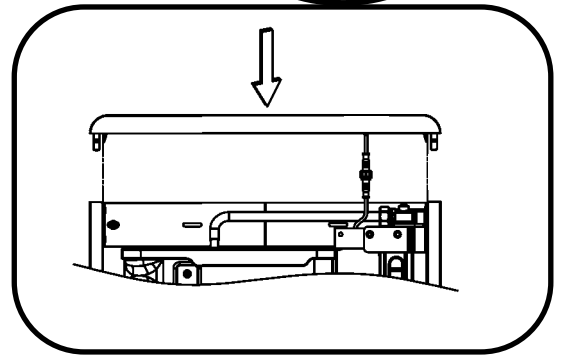
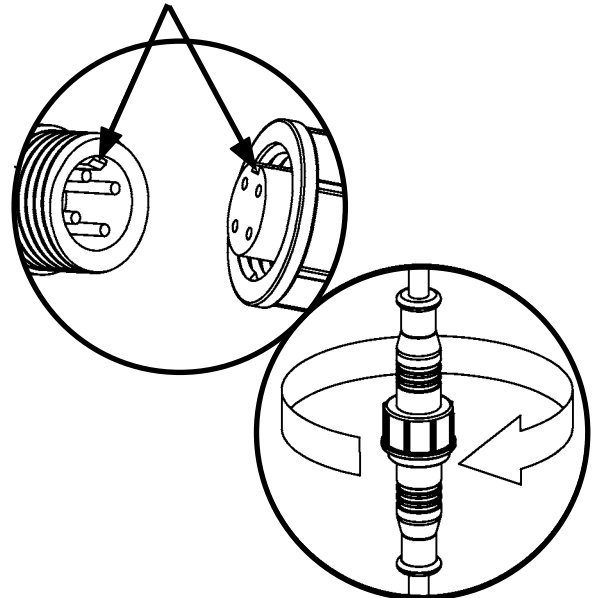
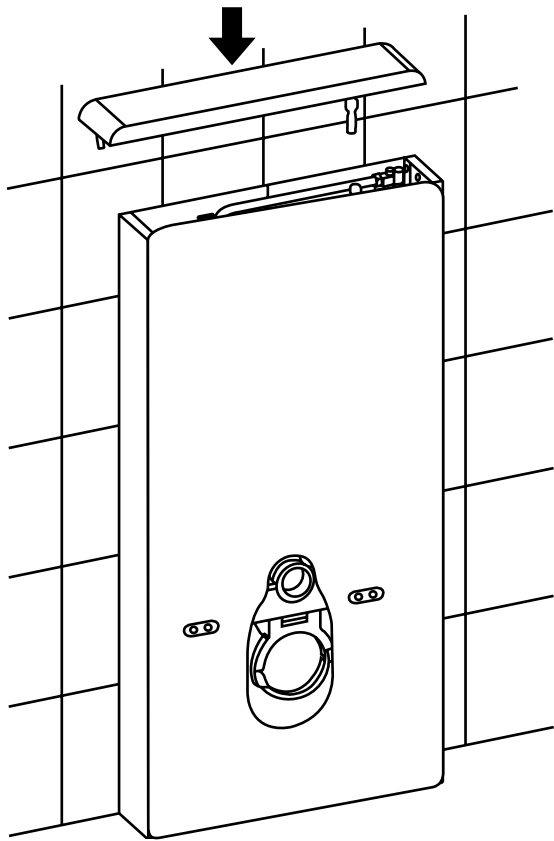
17



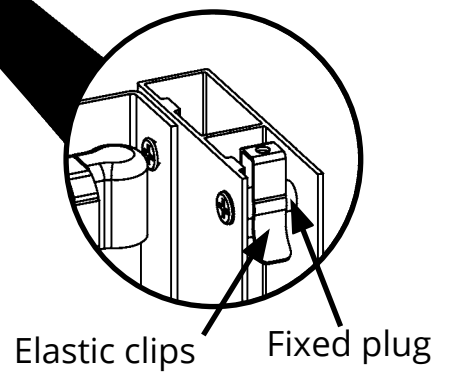
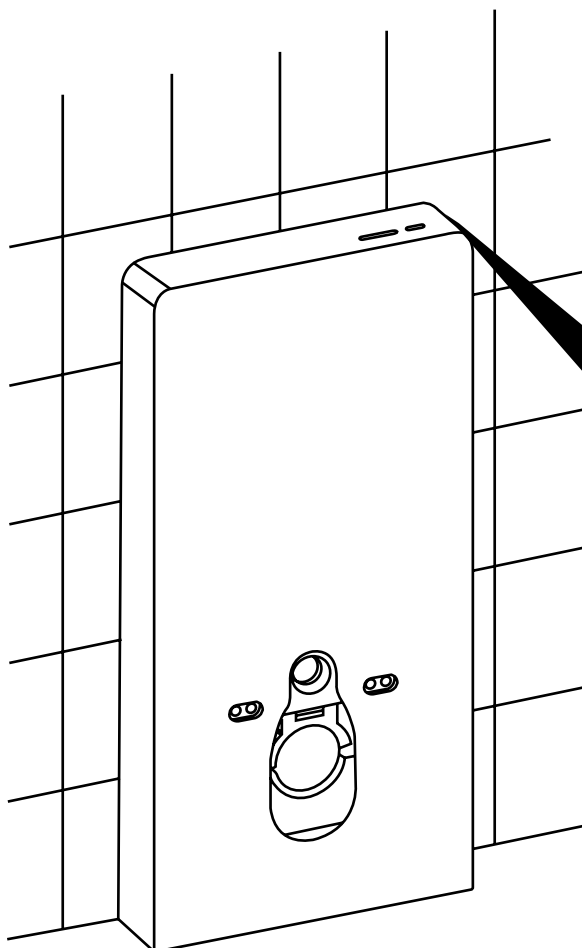
18



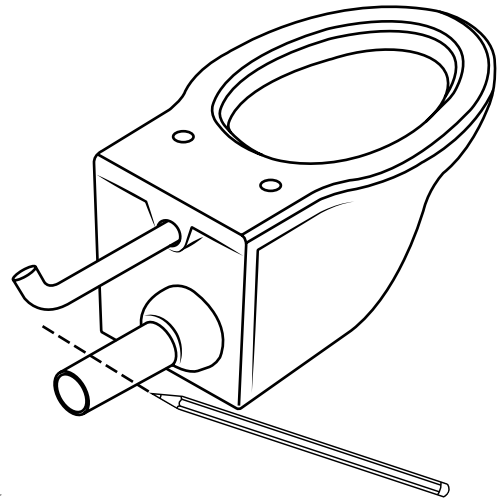
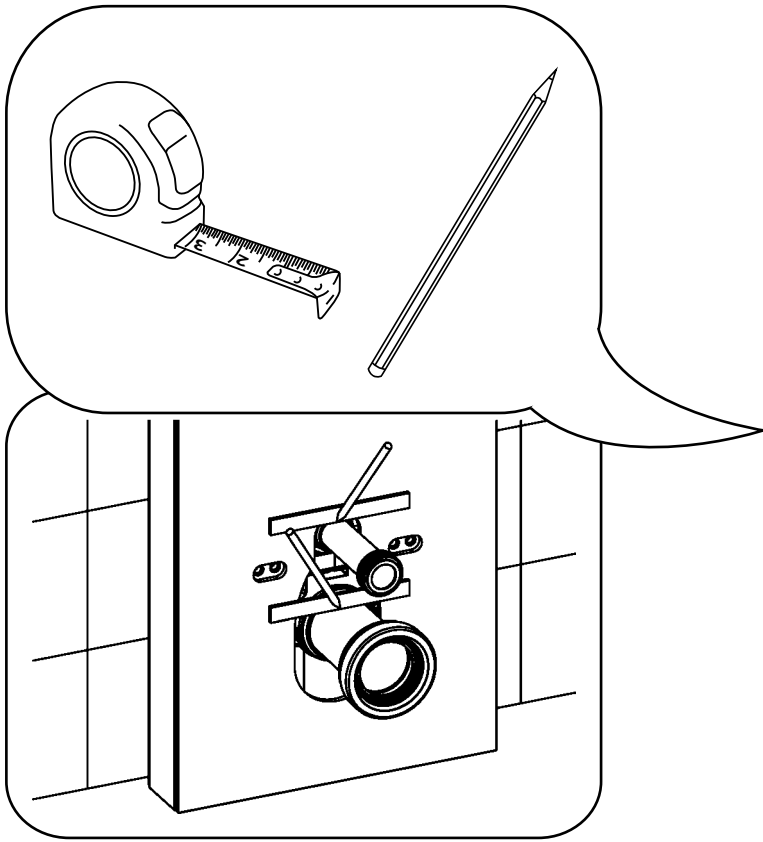
19



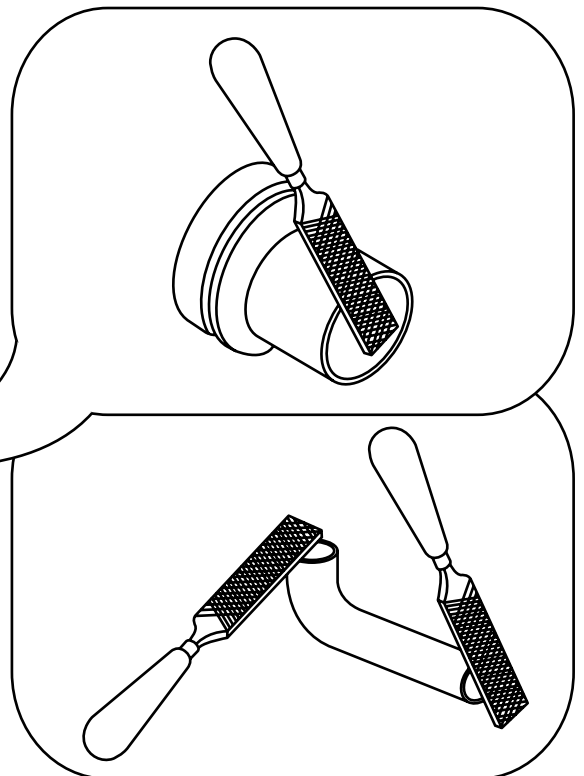
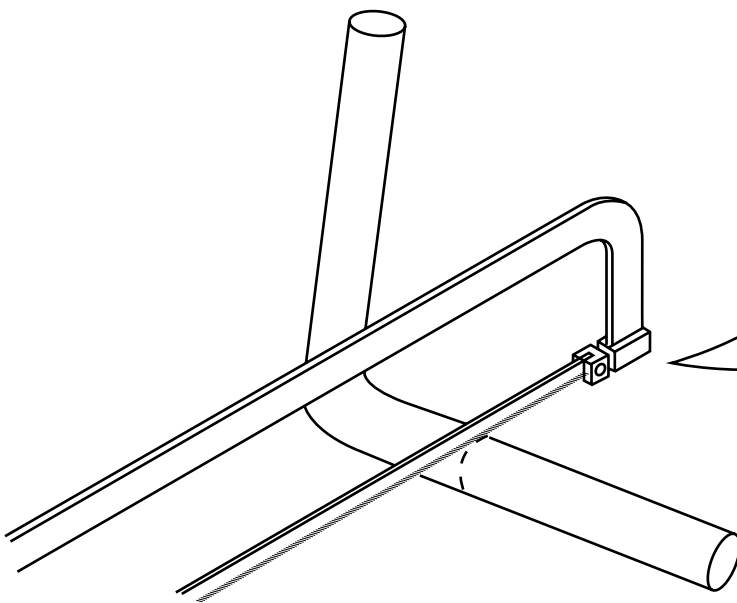
20



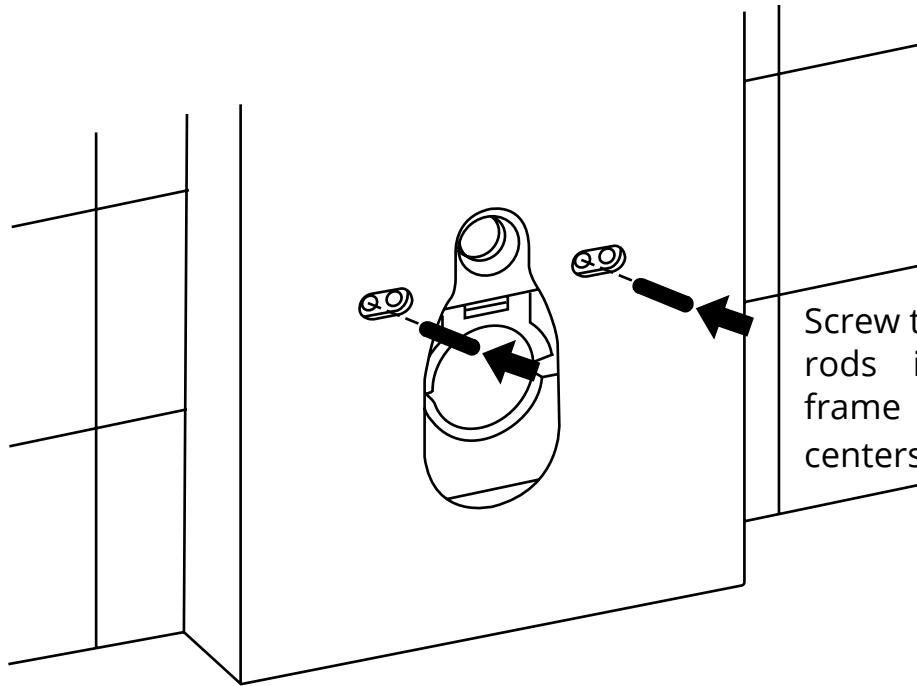
21



22

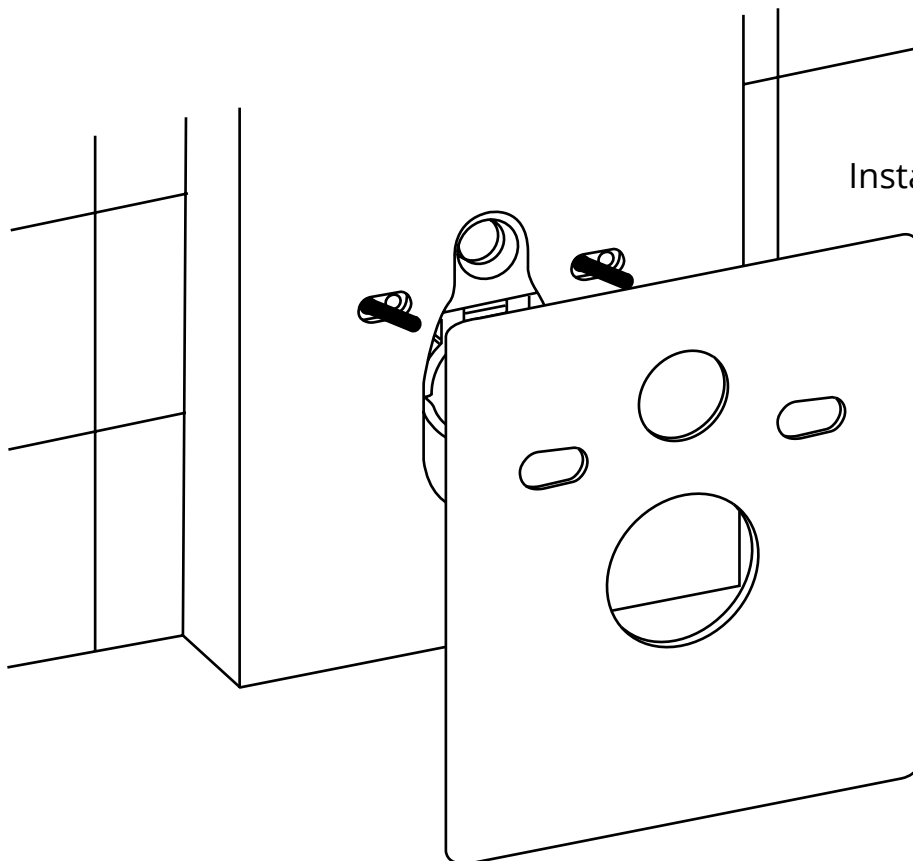


23



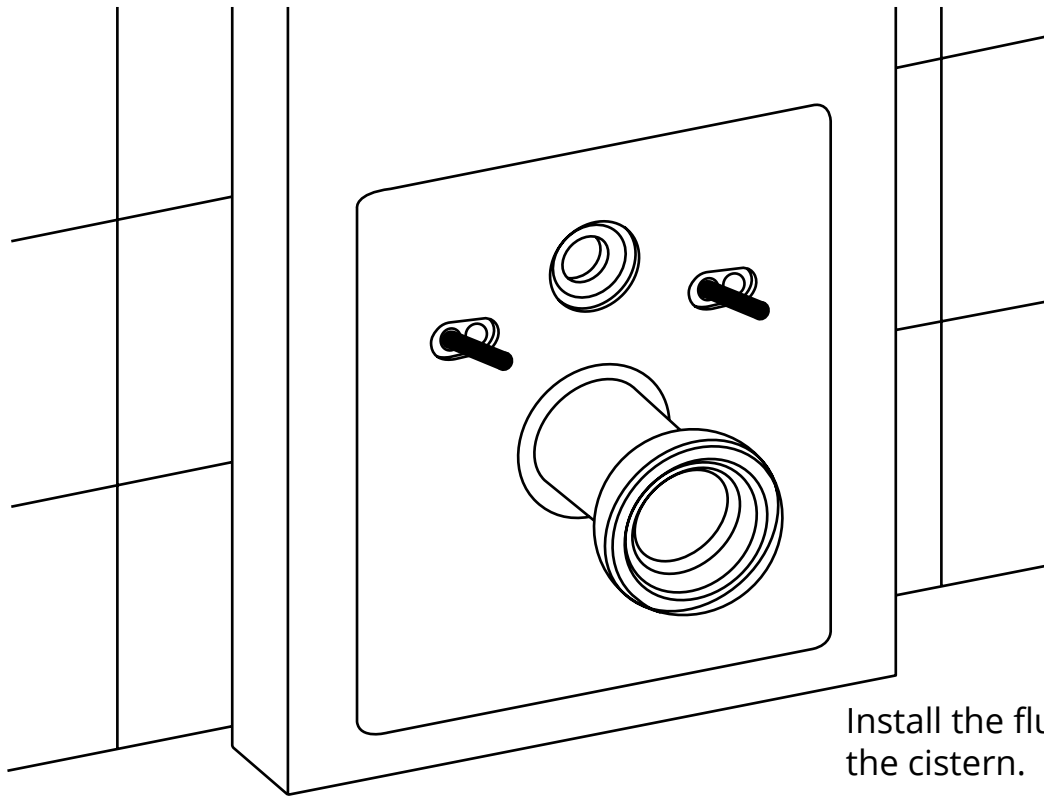
Screw the M12 threaded rods into the cistern frame at the correct centers for the pan.

24



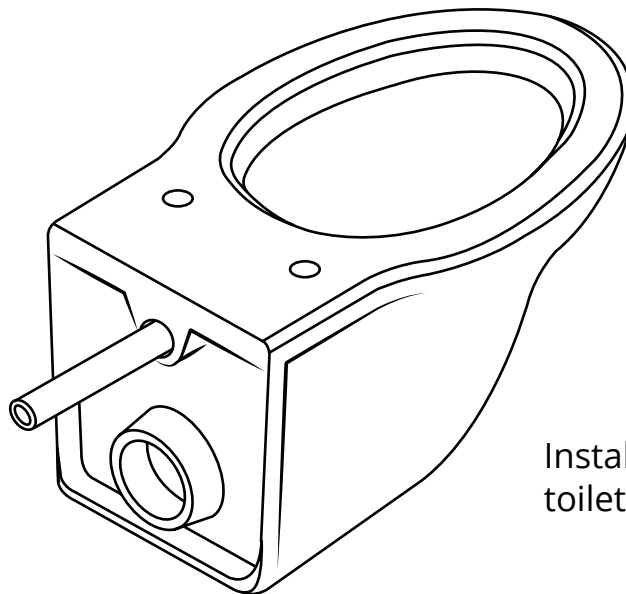
Install toilet sound mat.

25



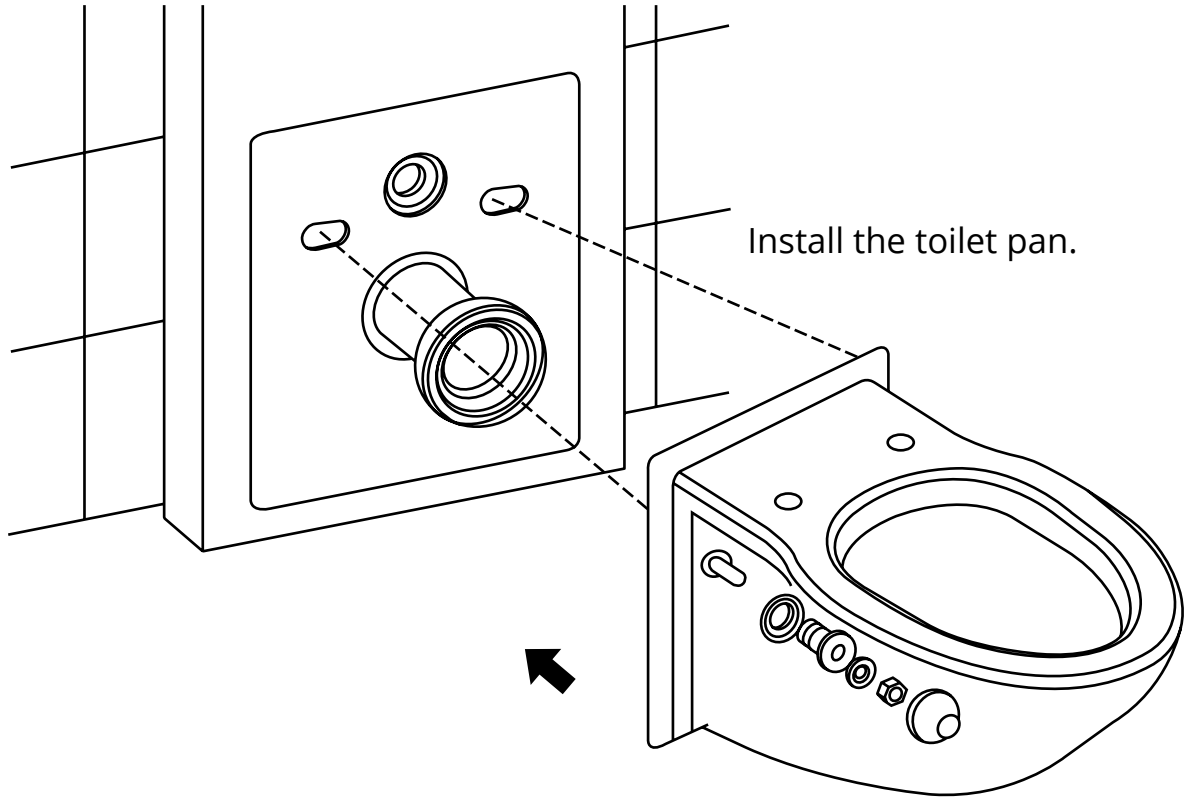
Install the flush pipe in to the cistern.

26



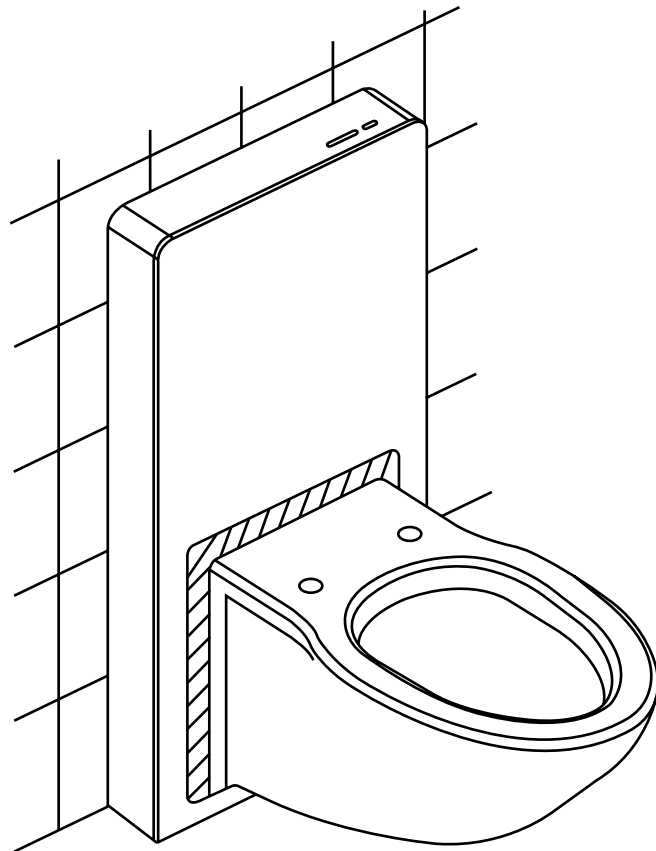
Install the flush pipe in to the toilet.

27



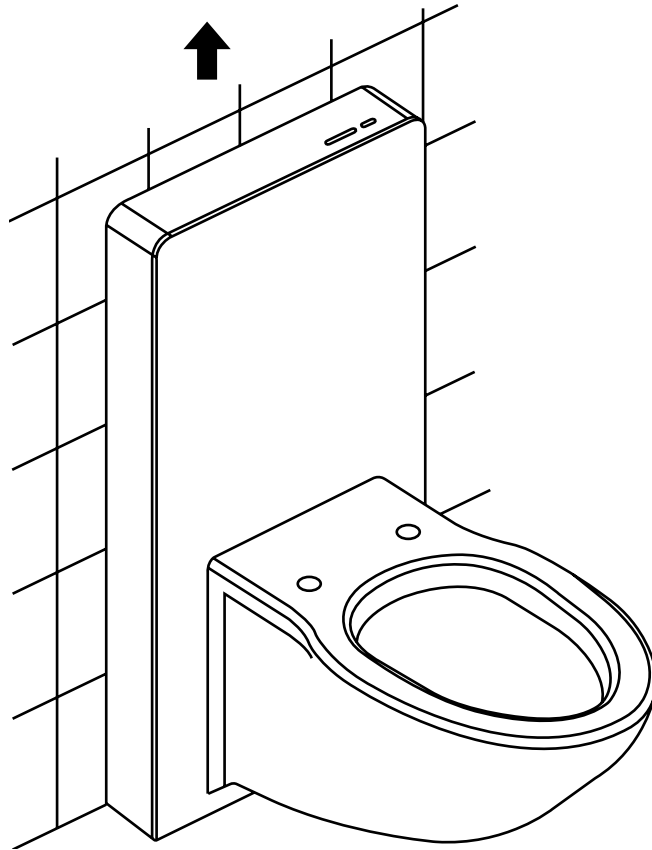
28

Trim off the excess part off the sound mat.

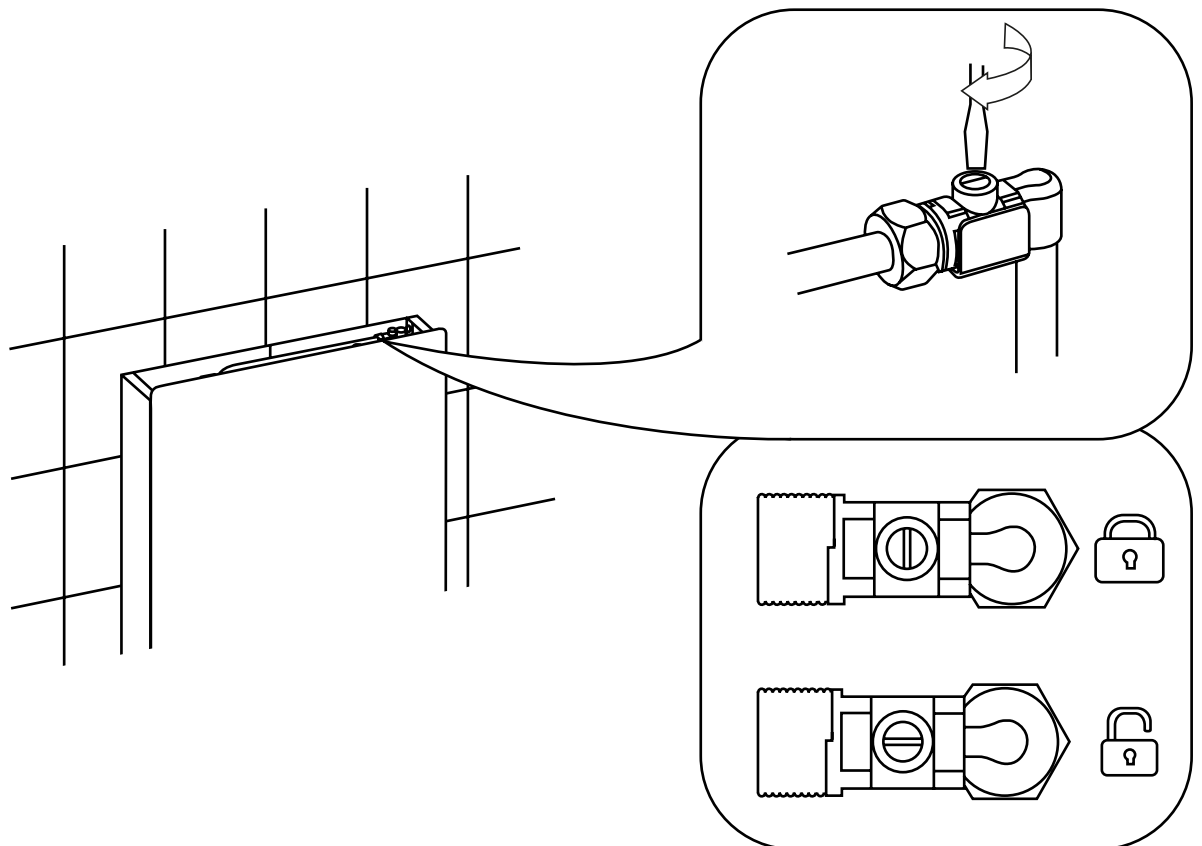


Inlet valve removal:

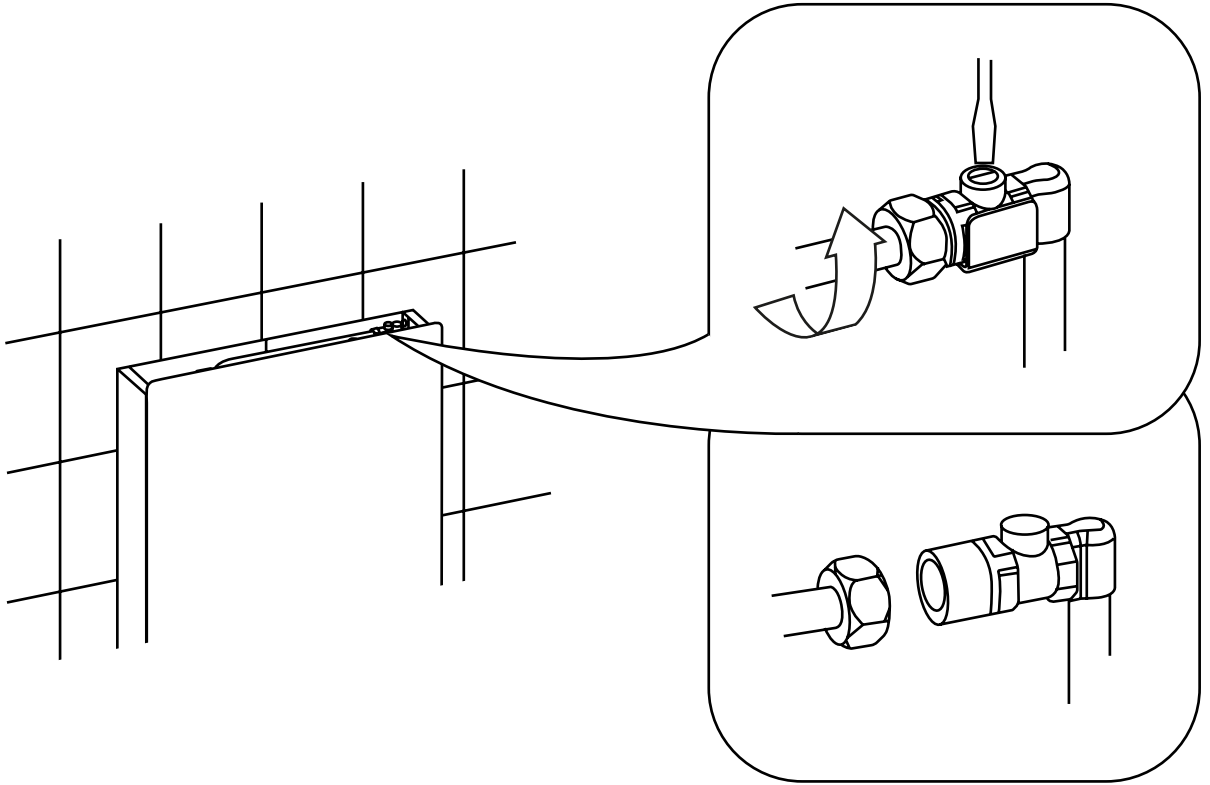
1



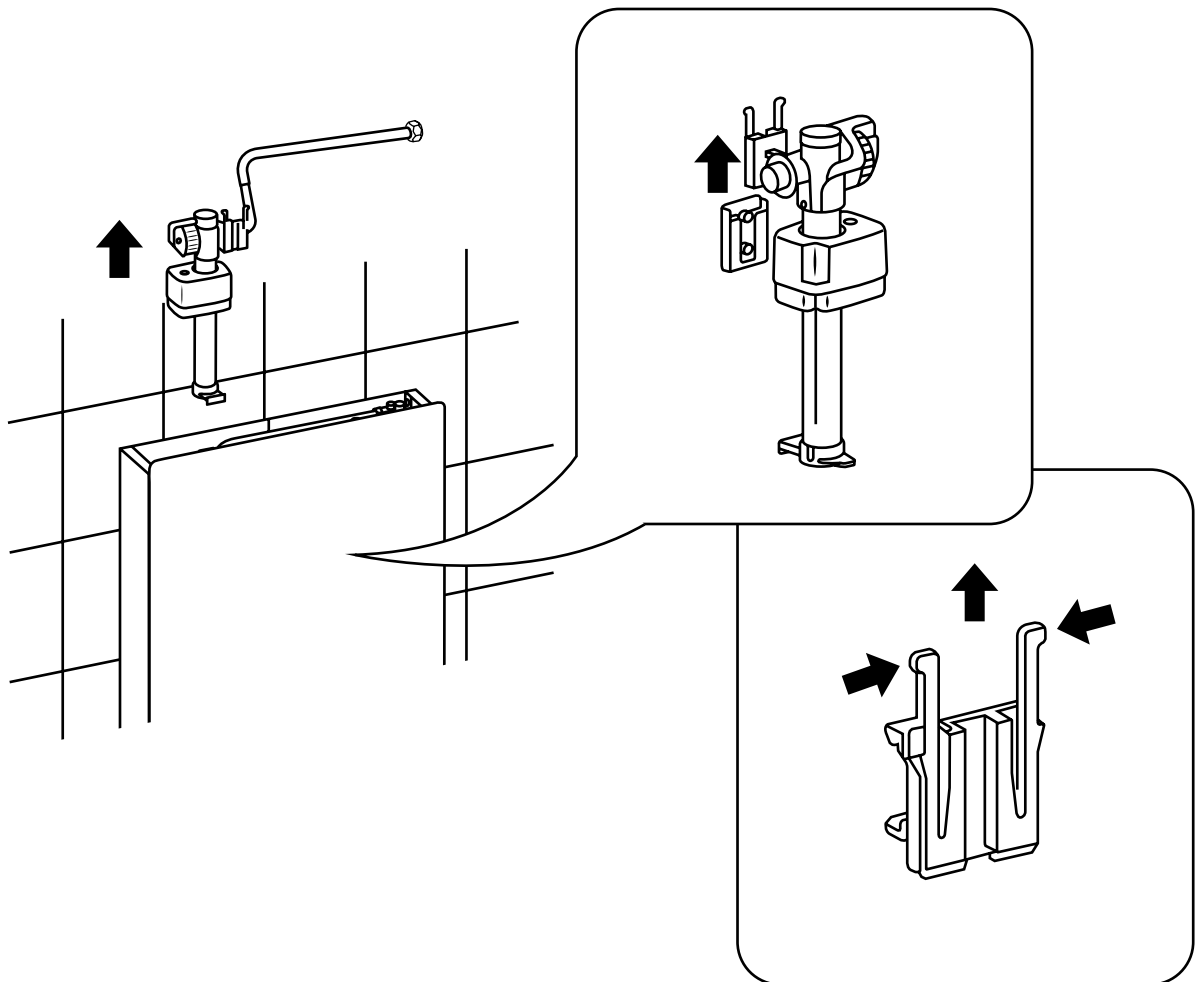
2



3



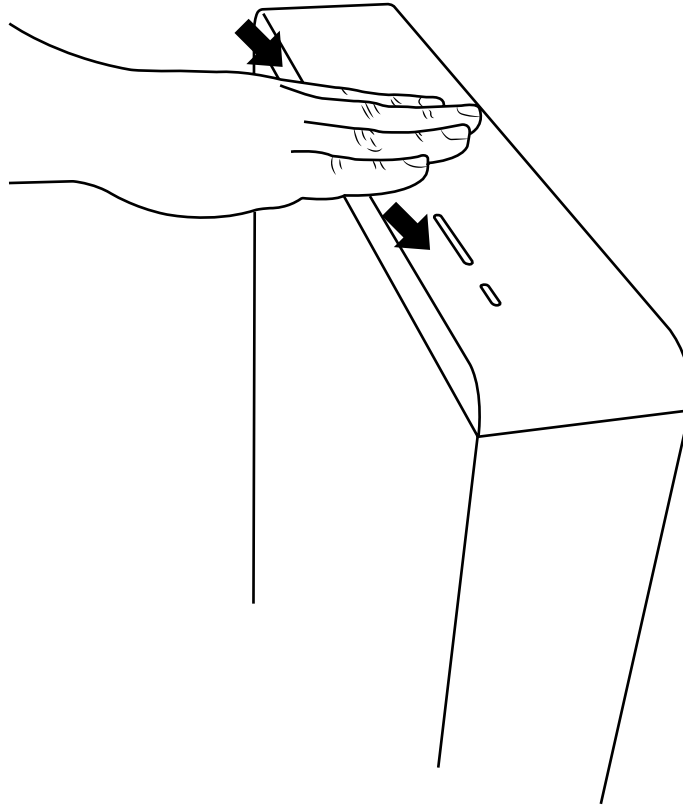
4





Flush sensor:

Full flush



Half flush

